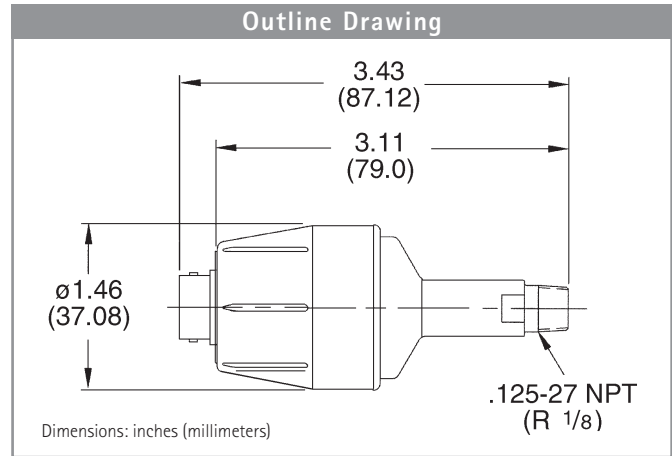


# ConvecTorr™ Gauge



Varian's unique ConvecTorr gauge is a stainless steel, convection-enhanced thermal gauge, which maintains the sensing element at a constant temperature for superior performance from 1 E-04 Torr to atmospheric pressure. The ConvecTorr features accurate pressure indication over the entire rough vacuum range with extremely fast response time (0.2 seconds) and superior readings at higher vacuum pressures due to enhanced thermal stability. ConvecTorr is ideally suited for a wide range of demanding vacuum applications where accurate pressure monitoring and rapid, repetitive pump downs from atmosphere are required, such as load lock applications or control of a two-stage pump down. And, with excellent sensitivity near atmospheric pressure, ConvecTorr can often save many hours of pumping time when monitoring initial pumping of large vacuum systems.

The ConvecTorr, unlike other convection-type gauges, is not affected by system vibration and features a locking bayonet connector. The ConvecTorr offers continuous and repeatable pressure indications between 0 °C and 50 °C. The ConvecTorr is offered with a variety of mounting options and is easily interfaced with Varian's XGS-600 gauge controller for integration in a complex vacuum system, or for use as a stand-alone pressure measurement tool.

## Technical Specifications

<b>Measurement Range</b>	1 x 10 <sup>-4</sup> Torr to Atmosphere, 1 x 10 <sup>-1</sup> to 133 Pascal
<b>Measurement Precision</b>	+ 30 % within a pressure decade
<b>Temperature Limits</b>	Operating: 0 °C to 50 °C; Storage: -15 to 80 °C; Bake out: 80 °C with cable disconnected
<b>Pressure Response Time</b>	Less than 0.2 seconds
<b>Materials</b>	304 Stainless steel with Platinel filament and ABS housing



## Ordering Information

Description	Part Number	Fitting	Shipping Weight lbs. (kg)
ConvecTorr™ Gauge Tube, Platinel filament	L9090301	1/8 in. NPT	1.0 (0.5)
	L9090302	Mini-ConFlat®	1.0 (0.5)
	L9090303	Cajon 4 VCR (female)	1.0 (0.5)
	L9090305	NW16 KF	1.0 (0.5)
	L9090306	NW25 KF	1.0 (0.5)