



2401 B Phoenix Ave. NE
 Albuquerque, NM 87107
<http://www.idealvac.com>
 (505) 872-0037

SAVE Money, Time & Be More Productive...

We are Your #1 Supplier for Rebuilt Subfab Edwards IQ Dry Vacuum Pumps and Repair Service.

Rebuilt dry pumps are a very cost effective solution compared to purchasing new (typically cost less than 20% of New Pump Pricing)

We offer a large selection and short lead-time:
 We maintain over 200 rebuilt IQ pumps in stock.
 We Can offer next day shipping in many cases.

Edwards®
DRY PUMP SYSTEMS
 SALES
 SERVICE
 SUPPLIES



**Our Rebuilt Edwards IQ Dry Pumps are Dependable:
 We Offer 90 DAY WARRANTY on Parts & Labor**

© Edwards Limited 2009. All rights reserved.

APPLICATIONS for the IQDP Pump System Include:

SEMICONDUCTOR RESEARCH & MANUFACTURING

Edwards IQ Dry Vacuum Pumps are specifically designed for subfab vacuum applications in semiconductor manufacturing processes, such as, physical and chemical vapor deposition, etch and ion implantation. Wafers are typically brought into a load-lock chamber that is pumped down with one pump, moved into a transfer chamber that is pumped with a second pump and then into the process chamber where a third pump is employed. Each pump has different requirements in terms of the number of cycles, the gas load (volume and type of gases to be pumped) and, in the process chamber, the type of byproducts generated. Edwards IQ pumps are well suited for the harshest of semiconductor processes, they have specially enhanced particulate handling capabilities. Our Edwards rebuilt dry pumps have a very small subfab footprint and large pumping speeds that enhance the latest process. They form the optimum choice for low cost of ownership in demanding service cycles.



SOLAR CELL MANUFACTURING

Edwards IQ Dry Vacuum Pumps are well-suited for vacuum applications in solar cell manufacturing. Like integrated circuit and flat-panel display manufacturing, solar cell manufacturing depends on a variety of vacuum-based processes, from PECVD (plasma-enhanced chemical vapor deposition) silicon deposition to lamination of the finished module. High pumping speeds and rapid chamber cycling are essential if these processes are to meet the throughput requirements of the solar cell industry. Our rebuilt Edwards IQDP Dry Vacuum Pumps are dependable with benefits that include very lower up front costs, reduced energy consumption and decreased maintenance requirements.





2401 B Phoenix Ave. NE
 Albuquerque, NM 87107
<http://www.idealvac.com>
 (505) 872-0037

Edwards®
DRY PUMP SYSTEMS
SALES
SERVICE
SUPPLIES

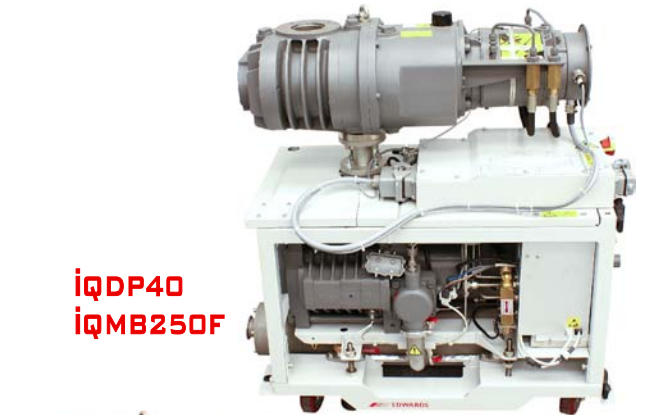
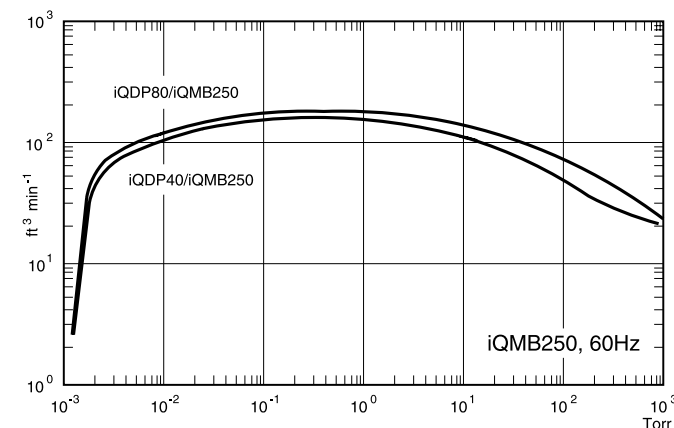
© Edwards Limited 2009. All rights reserved.

SPECIFICATIONS

iQDP40/80 AND iQMB250F **DRY PUMP SYSTEM** **TECHNICAL DATA**

Maximum continuous inlet pressure	20 mbar
Typical shaft-seal nitrogen flow	7 slm
Warm-up time	15 min
Inlet connection	ISO 63 bolted
Outlet connection	NW 40
Oil capacity	
iQDP pump	0.4 liter (Fomblin YVAC 25/6)
iQMB250F, coupling cover	1.5 liter (Fomblin YVAC 16/6)
iQMB250F shaft-seal reservoir	0.13 liter (Fomblin YVAC 16/6)

	iQDP40/iQMB250F		iQDP80/iQMB250F	
	50 Hz	60 Hz	50 Hz	60 Hz
Peak speed				
m ³ h ⁻¹	235	290	260	305
ft ³ min ⁻¹	139	171	153	180
Displacement				
m ³ h ⁻¹	310	375	310	375
ft ³ min ⁻¹	180	221	183	221
Ultimate vacuum				
mbar	2.5 x 10 ⁻³	2 x 10 ⁻³	2 x 10 ⁻³	7 x 10 ⁻⁴
Torr	1.9 x 10 ⁻³	1.5 x 10 ⁻³	1.5 x 10 ⁻³	5.3 x 10 ⁻³
Typical cooling-water flow				
l h ⁻¹		225		216
US gal min ⁻¹		0.99		0.96
Power input at vacuum (kW)				
iQDP pump	1.1	1.3	2.6	3.1
iQMB250F	0.7	1.0	0.7	1.0
Rated motor power (kW)				
iQDP pump		2.2		4.0
iQMB250F		2.2		2.2
Weight kg (lbs.)				
Direct mounted		256 (563)		286 (629)
Frame mounted		313 (667)		346 (761)

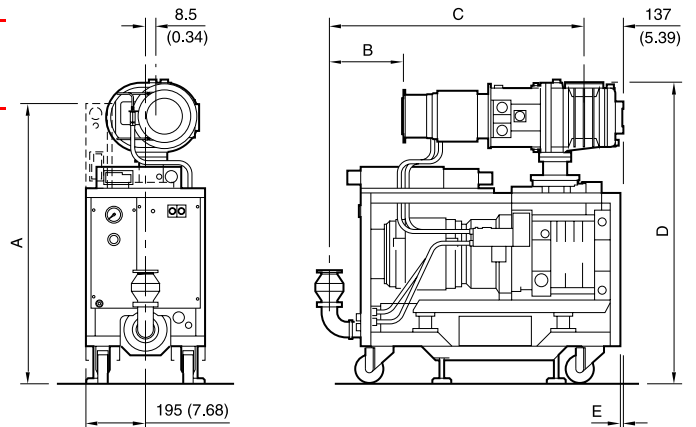


iQDP40
iQMB250F



iQDP80
iQMB250F

Direct mounted



	A	B	C	D	E
iQDP40/iQMB250F	798	116	679	860.5	36
iQDP80/iQMB250F	-	258	821.5	842	46

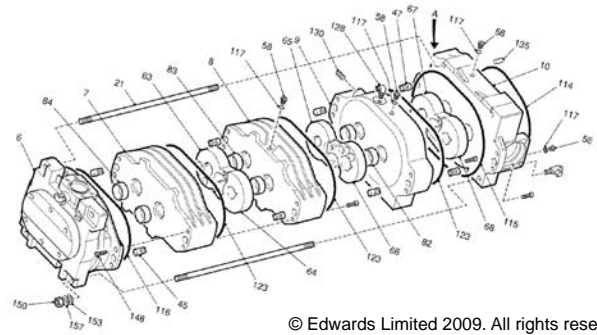
iQDP Pumps and Accessories IN STOCK



2401 B Phoenix Ave. NE
 Albuquerque, NM 87107
<http://www.idealvac.com>
 (505) 872-0037

Edwards®
DRY PUMP SYSTEMS
SALES
SERVICE
SUPPLIES

REBUILD SERVICE



© Edwards Limited 2009. All rights reserved.

**90 Day
 Parts & Labor
 Warranty**

Models	To Rebuild Pump	Advanced Exchange	Rebuilt Pump
iQDP-40	\$4,400	\$4,600	\$4,900
iQDP-40 with iQMB-250	\$5,200	\$6,000	\$6,900
iQDP-80	\$4,600	\$5,600	\$6,900
iQDP-80 with iQMB-250	\$5,400	\$6,400	\$8,400
iQDP-80 with iQMB-500	\$5,600	\$6,600	\$8,900
iQDP-80 with iQMB-1200	\$6,500	\$7,500	\$10,900

Rebuild Service Includes: Totally Disassembled and cleaned • All components measured and inspected to original factory specs. • Claws and rings are recoated • All seals, sleeves and bearings are replaced • Temperature control valve is cleaned and adjusted • Pump motor bearings are replaced • Exhaust valve and silencer are cleaned and rebuilt • Water flow lines are cleaned and tested • Thermal Snap Switch is tested • Gearbox is filled with fresh PFPE charge • Safety features are tested, e.g. EMO, exhaust over pressure, pump over temp, etc. • Pump performance is computer recorded • Helium leak tested • Test reports and quality control results are provided.

ACCESSORIES



© Fomblin is a registered trademark of Sovay Solexis

Perfluorinated Polyether (PFPE) fluid remains totally inert in vacuum pump operations

Fomblin® YVAC 25/6 PFPE iQDP Pump	1 kg (0.5 liter)	P102148	\$186.87
	8 kg (4 liter)	P102147	\$1,495.00
Fomblin® YVAC 16/6 PFPE QMB Blower	1 kg (0.5 liter)	P102150	\$186.87
	8 kg (4 liter)	P102149	\$1,495.00

All Other Fittings to Assemble iQDP Pumps are Available



iQDP AC Power Cable
\$325



Adapter Bolted for iQDP Inlet

ISO40 Bolted/NW40 - \$370.00
 ISO40 Bolted/NW50 - \$191.00
 ISO63 Bolted/NW40 - \$512.00
 ISO63 Bolted/NW50 - \$594.00



Over Pressure Rings
 KF40 P101631 - \$19.45
 KF50 P101632 - \$23.90



KF40 4inch Bellows
[P101239 - \\$77.70](#)
 KF50 4inch Bellows
[P101240 - \\$95.50](#)



iQDP Dry Pump Controller Joy Pad - \$500



iQDP Rebuilt Silencer - \$750

iQDP40 Skins - \$500
 iQDP80 Skins - \$750



Block Valve

KF25 HO Right Angle - \$270
 KF40 HO Right Angle - \$318



KF50 Blanks
[P102320 - \\$16.60](#)
 KF40 Blanks
[P101204 - \\$13.55](#)



C Clamps
 KF25 P101199 - \$7.50
 KF40 P101200 - \$8.85
 KF50 P101201 - \$14.95

iQDP Pumps and Accessories IN STOCK