

# SCROLL PUMP

# ESDP12

## 10.6 CFM



## ESDP12 Scroll Vacuum Pump

The ESDP12 is the right combination of size, performance and low cost. A compact, reliable vacuum pump designed for use on clean processes. Not suitable for use with explosives, flammable, toxic, corrosive substances or particles that contain powders. To pump condensable vapors or to pump down from atmospheric pressure in a humid environment (for example, if relative humidity exceeds 60%), you must use the gas ballast that comes with the pump. This pumps is air cooled with an hour counter. Light, oil free and little routine maintenance.



**\$8,570.00**

### Technical data for Edwards ESDP12

Displacement	
50 Hz	15 m <sup>3</sup> h <sup>-1</sup> / 8.8 ft <sup>3</sup> min <sup>-1</sup>
60 Hz	18 m <sup>3</sup> h <sup>-1</sup> / 10.6 ft <sup>3</sup> min <sup>-1</sup>
Peak pumping speed	
50 Hz	12.5 m <sup>3</sup> h <sup>-1</sup> / 7.3 ft <sup>3</sup> min <sup>-1</sup>
60 Hz	15 m <sup>3</sup> h <sup>-1</sup> / 8.8 ft <sup>3</sup> min <sup>-1</sup>
Ultimate total vacuum	1.6 x 10 <sup>-2</sup> mbar / 1 x 10 <sup>-2</sup> Torr
Inlet connection	NW25
Outlet connection	NW16
Motor power	0.4 kW
Electrical supply	
1-phase, 50Hz	200/230 V
1-phase, 60Hz	110/115V
Noise level	58db (A)
Vibration	1.5 mms <sup>-1</sup>
Enclosure rating	IP44
Leak tightness (static)	10 <sup>-4</sup> mbar l s <sup>-1</sup>
Operating temperature range	5 to 40 °C / 41 to 104 °C
Weight	
1-phase pump	25 kg / 55 lbs

### Applications

- Rare gas re-circulation
- Gel drying
- Rotary evaporation
- Centrifugal concentration
- Vacuum ovens
- Glove boxes
- Scanning electron microscopes
- Ion implanters (beamline and end stations)
- General clean pumping applications
- Sputtering
- Turbo pump backing
- Ideal for chamber roughing

### Features

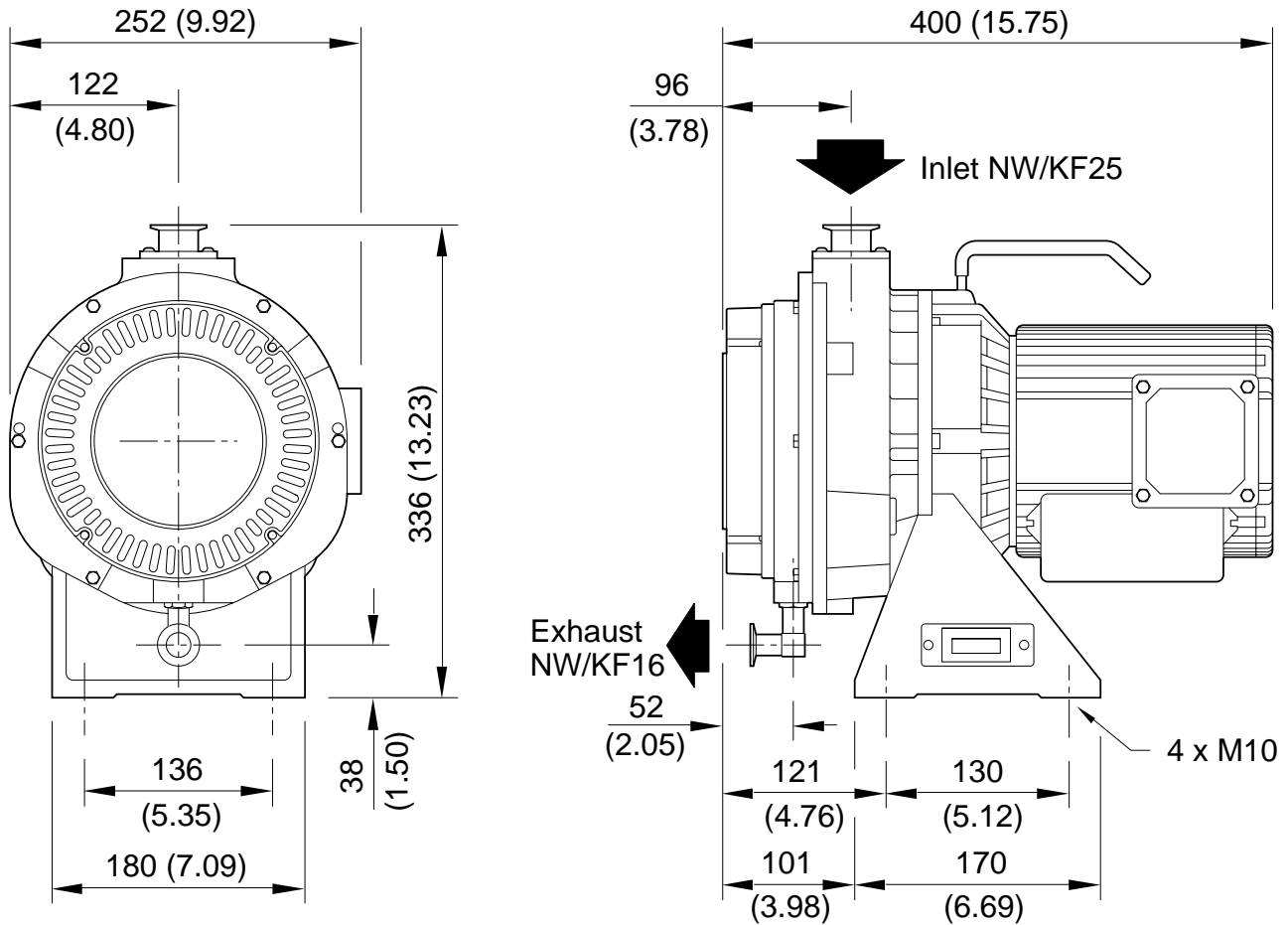
- Low ultimate pressure
- High pumping speed
- Contamination Free, no oil maintenance or disposal
- Cost-effective ready to use
- Maximum inlet pressure to 760 Torr

[To Our Website  
idealvac.com](http://idealvac.com)

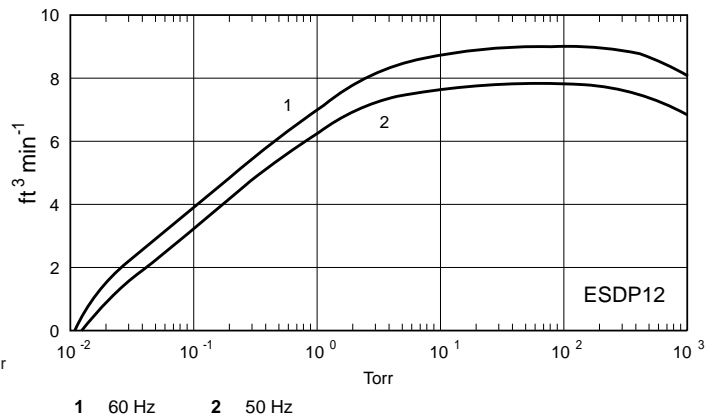
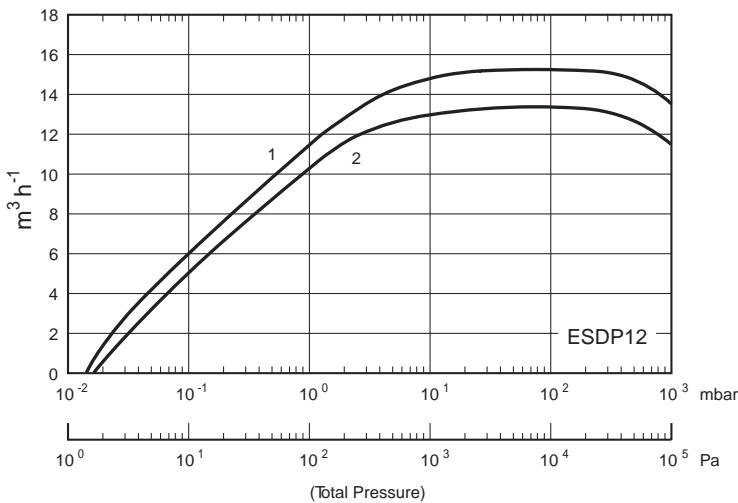


Ideal Vacuum Products, LLC  
2401B Phoenix Ave. NE  
Albuquerque, NM 87107  
Phone: (505) 872-0037  
[idealvac.com](http://idealvac.com) or [pchemlabs.com](http://pchemlabs.com)

# Dimensions for Edwards ESDP12 Scroll Vacuum Pump



## Speed Curves



1 60 Hz 2 50 Hz

[To Our Website  
idealvac.com](http://idealvac.com)



Ideal Vacuum Products, LLC  
2401B Phoenix Ave. NE  
Albuquerque, NM 87107  
Phone: (505) 872-0037  
[idealvac.com](http://idealvac.com) or [pchemlabs.com](http://pchemlabs.com)  
Dec2008 Rev.1