

Rotary Vane Vacuum Pumps C2 Series

2010C2

2015C2 2021C2

PASCAL Series adixen



2010C2 CFM 6.8
2015C2 CFM 10.6
2121C2 CFM 14.6

Alcatel Adixen Pascal Series - 2010C2 - 2015C2 - 2021C2
2 Stage Rotary Vane Vacuum Pump

Designed for **CORROSION PROTECTION** in harsh processes in a chemical atmosphere

- **compact design** : reduced dimensions, choice of horizontal or vertical inlet and exhaust ports, all controls and service access located on the front.
- **high pumping speed** from atmosphere to vacuum.
- **efficient gas ballast** for vapor pumping.
- **air cooled** for optimum performance
- **field serviceable** using the appropriate maintenance kits
- **optimized tightness** : integrated anti-suckback ; all static sealings secured by O-rings; external shaft seal can be renewed easily, without dismantling the pump.



C2 Series Rotary Vane Pumps are the best answer to the most aggressive pumping environments. They incorporate specific anti-corrosion features for reliable operation.

Prepared with A113 PFPE Fluid

C2 2010-21 PASCAL Series 2 Stages

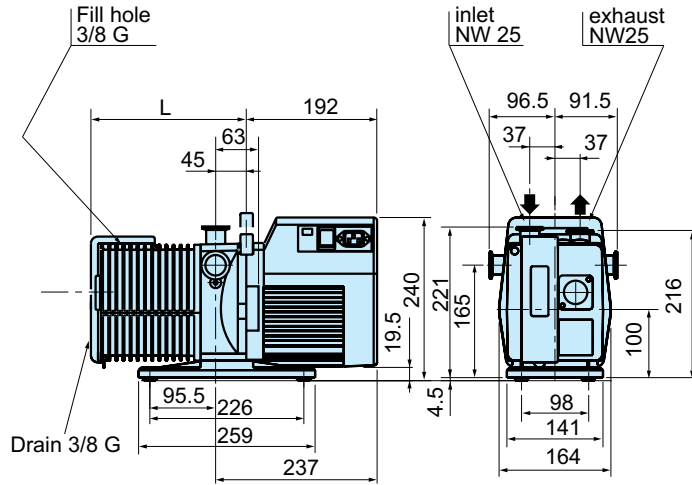
Specifications		Units	2010C2	2015C2	2021C2
Part Number			210C2MLAN	215C2MLAN	221C2MLAN
Price (2008 List Prices)			\$3,300.00	\$3,910.00	\$4,640.00
Nominal pumping speed	50Hz	m ³ /h	9.7	15	20.7
	60Hz	cfm	6.8	10.6	14.6
Pneurop pumping speed	50Hz	m ³ /h	8.5	12	15.5
	60Hz	cfm	6	8.8	11.8
Ultimate partial pressure		mbar	5.10 ⁻⁴	5.10 ⁻⁴	5.10 ⁻⁴
Ultimate total pressure closed gas ballast		mbar	3.10 ⁻³	3.10 ⁻³	3.10 ⁻³
Weight (max)		kg (lbs)	26 (57.2)	27 (59.4)	28 (61.6)
Pump Dimensions		BackPage	BackPage	BackPage	BackPage
Electrical motors Universal 1 or 3 phase			3 phase 342V to 460V 50hz, 342V to 520V 60hz, 170V to 254V 50hz, 170V to 300V 60hz 1 phase 180V to 254V 50/60hz, 90V to 132V 50/60hz		
Max nominal power rating 50/60Hz		kW	0.45/0.55	0.45/0.55	0.45/0.55
Min ambient temperature		°C (°F)	12 (54)	12 (54)	12 (54)
Max ambient temperature		°C (°F)	45 (113)	45 (113)	45 (113)
Oil capacity (PFPE Fluids)		l	0.95	0.95	0.98
Inlet flange		ISO-KF	DN 25	DN 25	DN 25
Exhaust flange		ISO-KF	DN 25	DN 25	DN 25



To Our Website
ideallvac.com

Ideal Vacuum Products, LLC
2401B Phoenix Ave. NE
Albuquerque, NM 87107
Phone: (505) 872-0037
ideallvac.com or pchemlabs.com

Dimensions for C2 Series Vacuum Pumps



Specific Dimensions in mm	
C2 Series	L mm
2010	245
2015	270
2021	291

*same dimensions for single and three-phase motors

Accessories for C2 Series vacuum pumps

Reducer KF25 to KF16
P/N P101263 \$74.55

KF25 Half Nipple
P/N P101218 \$14.25

KF25 Full Nipple
P/N P101234 \$39.90

KF25 Toggle Clamp
P/N P101639 \$15.45

1 inch PVC Hose
P/N P101639 Per ft. \$6.00

Fomlin A113 PFPE Synthetic Fluid
P/N P102130 1kg \$186.87 P/N P102132 8kg \$1495.00

DE External Filter

DE FILTERS retain solid particles and/or neutralizes corrosive products contained in the oil of the pump. DE filters can be connected to any rotary vane pump from 5 m³/h to 100 m³/h; all necessary components for connexion are included.

DE Filter Media DE1

- **Cellulose filter:** filtration of solid particles only
Applications: General Use
- **Activated alumina:** envelope/charge of activated alumina
Applications: mineral acids, Lewis acids, Polar compounds.
- **Activated charcoal:** envelope/charge of activated charcoal.
Applications: Chlorinated products, water and chlorine, Nitrous vapors, Ammonia.

DE External Filter DE1

Price	\$5095.00
weight kg/lbs	12/24.6
electrical supply	110/220V 50HZ
oil flow hydrocarbon	1000 - 1500 cm ³
synthetic	1000 cm ³ /mn at 65° C
P/N 110/115V	068991
220/230V	068990

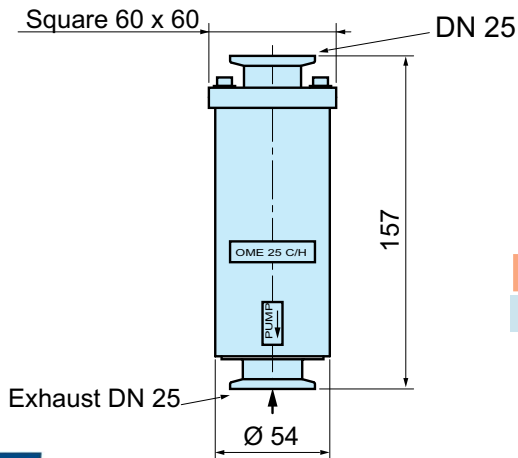
Replacement Cartridges

Price	\$97.65	\$91.50	\$115.05
type	activated alumina	activated charcoal	cellulose
P/N	068880	068881	078212

standard (factory installed) cartridges are:
DE 1 : activated alumina
oil volume : DE 1: 1.2 lit.

Alcatel, Adixen, Oil Mist Eliminator For Corrosive Gases **adixen** **ALCATEL**

OME 25 C/H



For applications involving corrosive gases or high level of tightness.

- material:..... body : stainless steel
..... cartridge : PTFE/glass micro-fiber
 - weight:..... 0.530 kg 1.77 lbs
 - leak rate: 2.10⁻⁷ mbar l/s
 - inlet port/exhaust port: DN25 ISO-KF
 - P/N: 066849 Price:\$708.00
 - replacement cartridge: P/N 066800 for single Price:\$31.80
- Orders must be placed for quantities multiple of 5 (5, 10, 15...).
- supplied with: 1 centering ring and 1 clamp



[To Our Website](http://idealvac.com)
idealvac.com

Ideal Vacuum Products, LLC
2401B Phoenix Ave. NE
Albuquerque, NM 87107
Phone: (505) 872-0037
idealvac.com or pchemlabs.com