

Rotary Vane Vacuum Pump

2100A OR **SD** PASCAL Series

2100A or 2100 SD 85 CFM



Alcatel Adixen Pascal Series 2100A and 2100SD Rotary Vane Vacuum Pump

Rebuilt

2100A or SD

Addresses the requirements of all major vacuum application for non-corrosive applications.



Paint scheme may be different

Specifications for 2100A or 2100SD

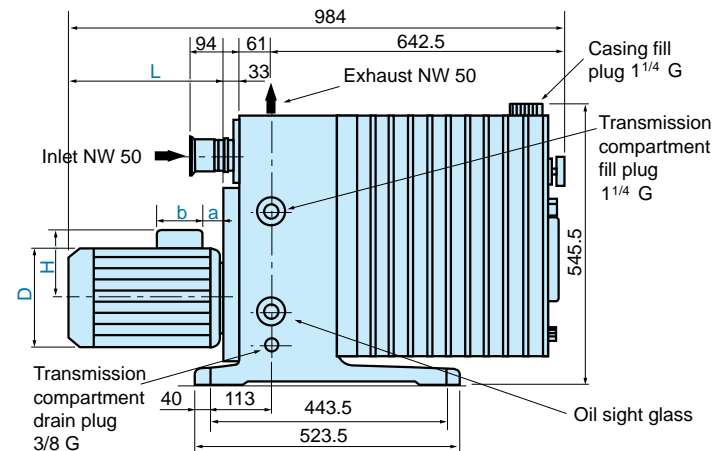
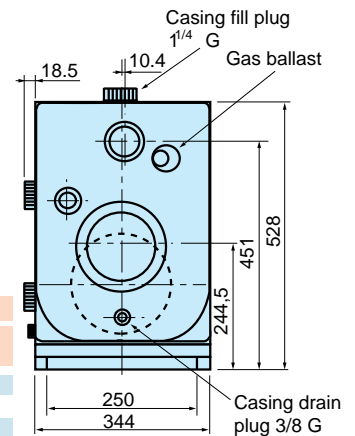
REBUILT A - SD PASCAL Series 2 Stages

Specifications	Units	2100A/SD
Part Number		P10975
Price (2009 Rebuilt Prices)		\$5,475
Nominal pumping speed (*)	50Hz	m ³ /h 120
	60Hz	cfm 85
Pneurop pumping speed (*)	50Hz	m ³ /h 100
	60Hz	cfm 70.6
Ultimate partial pressure (*)		mbar 2.10 ⁻⁴
Ultimate total pressure (*) closed gas ballast		mbar 3.10 ⁻³
	open gas ballast	mbar 3.10 ⁻²
Water vapor capacity	50/60Hz	g/h 3000
Water vapor pressure	50/60Hz	mbar 40
Weight (max)		kg (lbs) 231 (508)
Dimensions		see graphic to the right
Electrical motors	50 hz 220/380vac	240/415vac
	60 hz 220/380vac	280/480vac
Max nominal power rating	50/60Hz	kW 3/3.6
Min ambient temperature		°C (°F) 12 (54)
Max ambient temperature		°C (°F) 45 (113)
Oil capacity		l 7.5
Inlet flange		ISO-KF DN 50
Exhaust flange		ISO-KF DN 50

Dimensional Drawings for 2100A or 2100SD Alcatel Adixen Vacuum Pump (In mm)

Specific dimensions according to motors

Motor type	L mm	D mm	H mm	a mm	b mm
VDE	310	196	140	44.5	86
CSA	305	195	140	44.5	86
JIS	310	196	140	44.5	86



To Our Website
idealvac.com

Ideal Vacuum Products, LLC
2401B Phoenix Ave. NE
Albuquerque, NM 87107
Phone: (505) 872-0037
idealvac.com or pchemlabs.com

Accessories for 2100A/SD Vacuum Pumps



Alcatel 119 Oil
P/N P102102
1 Gallon \$29.00



Tee Reducer
KF50 to KF40
P/N P101232
\$42.75



KF50 Half Nipple
P/N P101222
\$23.75



KF50 Full Nipple
P/N P101236
\$58.90



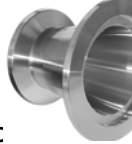
KF50 Toggle Clamp
P/N P101641
\$18.80



KF50 Thin Wall Bellows Hose 10", 20", 40"
20" P/N P101650 \$289.50
Other Lengths Available



2 inch PVC Hose
P/N P101414
Per ft. \$14.00



KF50 to 40 Reducer
P/N P101635
\$131.25



KF50 Elbow 45 degrees
P/N P101216
\$78.85



KF50 to PVC Hose Adapter
P/N P101392
\$41.70



KF50 4 Way Cross
P/N P101208
\$171.00



KF50 Elbow 90 degrees
P/N P101223
\$71.95

Oil Mist Eliminators For 2100A or SD

Oil Mist eliminators retain oil mist contained in the exhausted gases with a high level of separation; an internal over pressure valve prevents exceeding the maximum exhaust pressure.

Heavy Duty Oil Mist Eliminator

material: body: carbon steel canister

with 1/4" drain cap, inlet port: 2" P/N P102589

weight: 15 lbs. Parent Flow 125 CFM

Price..... (comes with cartridge).....\$473.00

Adapter 2" inch to ISO KF50 P/N P102336

Price.....\$131.25

Replacement Cartridge (single): P/N P102627

Price.....\$80.85



Male 2" NPT

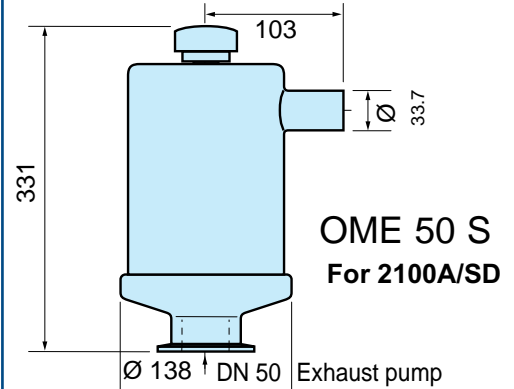
KF50

adapter

inlet

2" Female NPT inlet requires adapter
Male 2" to KF50 for use on Alcatel
2100SD outlet vacuum pumps

Oil Mist Eliminators From Alcatel



OME 50 S
For 2100A/SD

OME 50 S for pump 2100A/SD

Suitable for standard applications

material: body: stainless steel

..... cartridge: cellulose

weight: 3.5kg 7.7 lbs

inlet port/exhaust port: DN50 ISO-KF: P/N 104888

Price.....\$1,464.00

Replacement Cartridge (1 set): P/N 082672

Price.....\$63.00



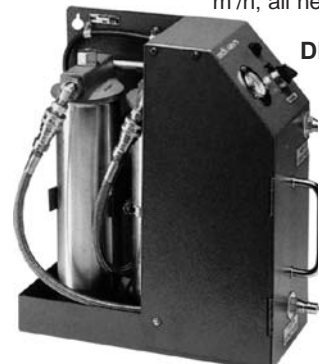
DE External Oil Filters For 2100A or SD

DE FILTERS retain solid particles and/or neutralizes corrosive products contained in the oil of the pump. DE filters can be connected to any rotary vane pump from 5 m³/h to 100 m³/h; all necessary components for connexion are included.

DE Filter Media DE1(1 Cartridge) DE2(2 Cartridges)

- **Cellulose filter:** filtration of solid particles only
Applications: General Use
- **Activated alumina:** envelope/charge of activated alumina
Applications: mineral acids, Lewis acids, Polar compounds.
- **Activated charcoal:** envelope/charge of activated charcoal.
Applications: Chlorinated products, water and chlorine, Nitrous vapors, Ammonia.

[To Our Website
idealvac.com](http://www.idealvac.com)



Ideal Vacuum Products, LLC
2401B Phoenix Ave. NE
Albuquerque, NM 87107
Phone: (505) 872-0037
idealvac.com or pchemlabs.com

● DE External Filters

	DE1	DE2
Price	\$5095.00	\$7260.00
weight kg/lbs	12/24.6	17/37.4
electrical supply	110/220V 50HZ	115/230V 60 HZ
oil flow hydrocarbon	1000 - 1500 cm ³ /mn	
synthetic	1000 cm ³ /mn at 65° C	
P/N 110/115V	068991	104375
220/230V	068990	104374

● Replacement Cartridges

Price	\$97.65	\$91.50	\$115.05
type	activated alumina	activated charcoal	cellulose
P/N	068880	068881	078212

- standard (factory installed) cartridges are:
DE 1 : activated alumina
DE 2 : cellulose and activated alumina
- oil volume : DE 1: 1.2 lit. - DE 2: 1.8 lit.