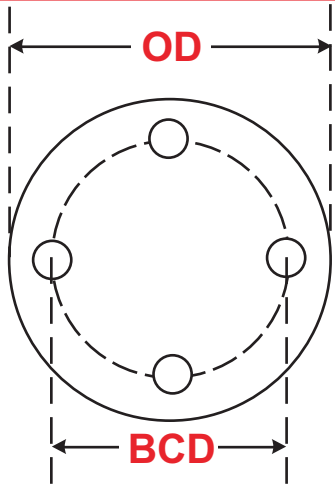


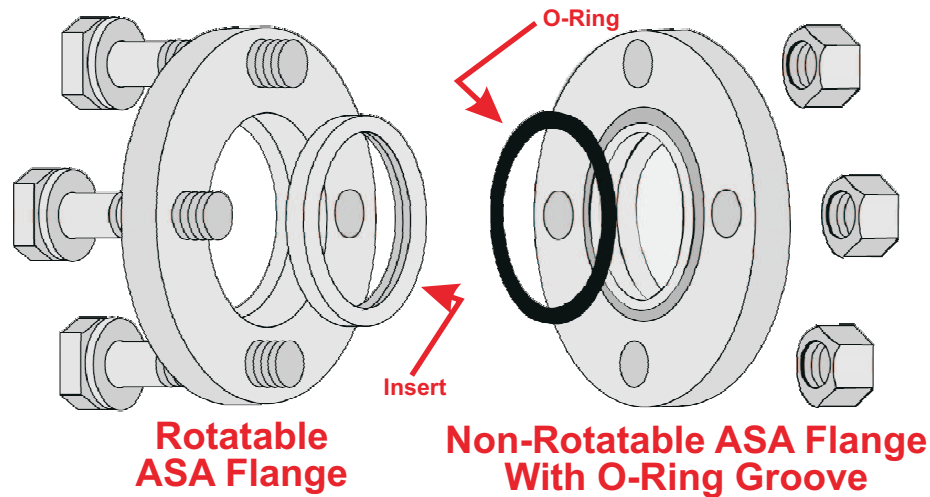
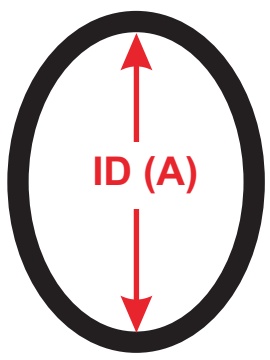
Our Products Develop Tomorrow's Technologies



ASA/ANSI Flange Sizes



ASA	OD	BCD	# of bolts
100	4.25"	3.125"	4
150	5.00"	3.880"	4
200	6.00"	4.750"	4
300	7.50"	6.000"	4
400	9.00"	7.500"	8
600	11.00"	9.500"	8
800	13.50"	11.750"	8
1000	16.00"	14.250"	12

ASA	ID (A)
100	1.875"
150	2.500"
200	3.500"
300	4.625"
400	6.000"
600	8.000"
800	10.000"
1000	12.000"

O-Rings For ASA Flanges

IDEAL VACUUM PRODUCTS, LLC. 2401B Phoenix Ave NE, Albuquerque, NM 87107

Phone: (505) 872-0037 Fax: (505) 872-9001